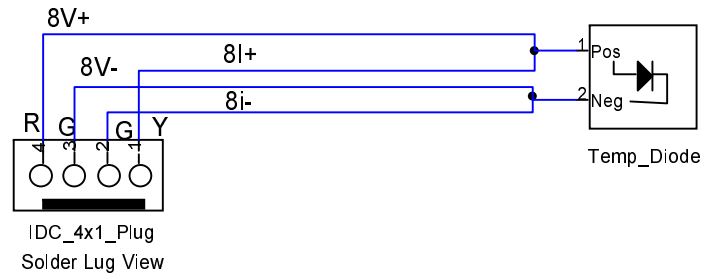


A

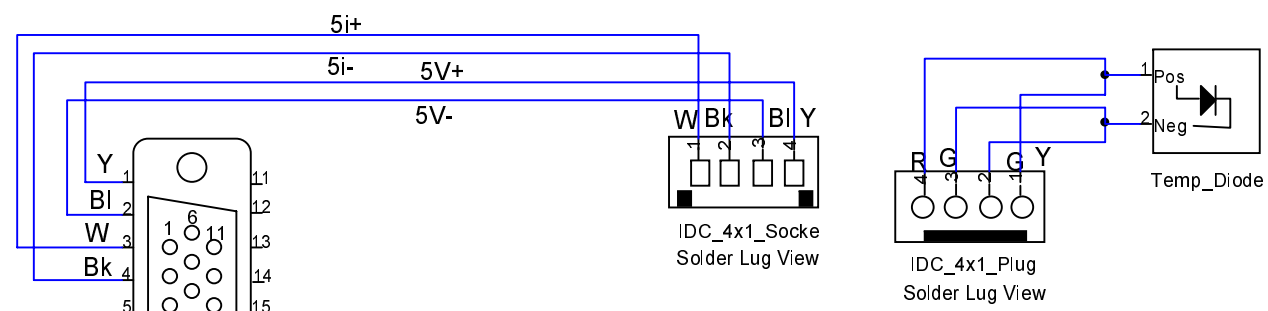
A



Sensor #8
Refrigerator 1st Stage

B

B



Sensor #5
Rear of Cold Bench

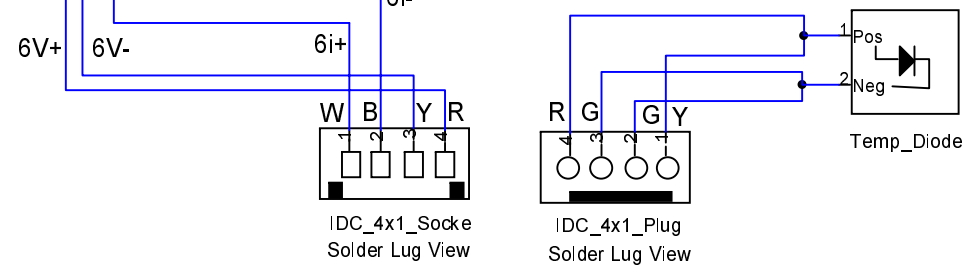
C

C

Note: RGGY wires are quad-twist cryogenic 36 gauge, enamel covered; WBYS wires are 28/30 gauge wire wrap single strand, teflon coated

D

D



Sensor #6
Detector Cage Location in
Detector Cooling system

E

E

Temperature Sensor cables "W" Keyed cable to LS218 A (Sensors 5-8)	
D. Clemens, Mimir Project, IAR, Boston University, Mod 1.3 J. Shiode. Mod 1.4 D. Clemens	
Rev 1.4	ID 02_008_1.4_Temp_sensors_W_cables
Date: 2005/03/09	Page: 1 of 1