

Zero Phase Reed Switch on PCB

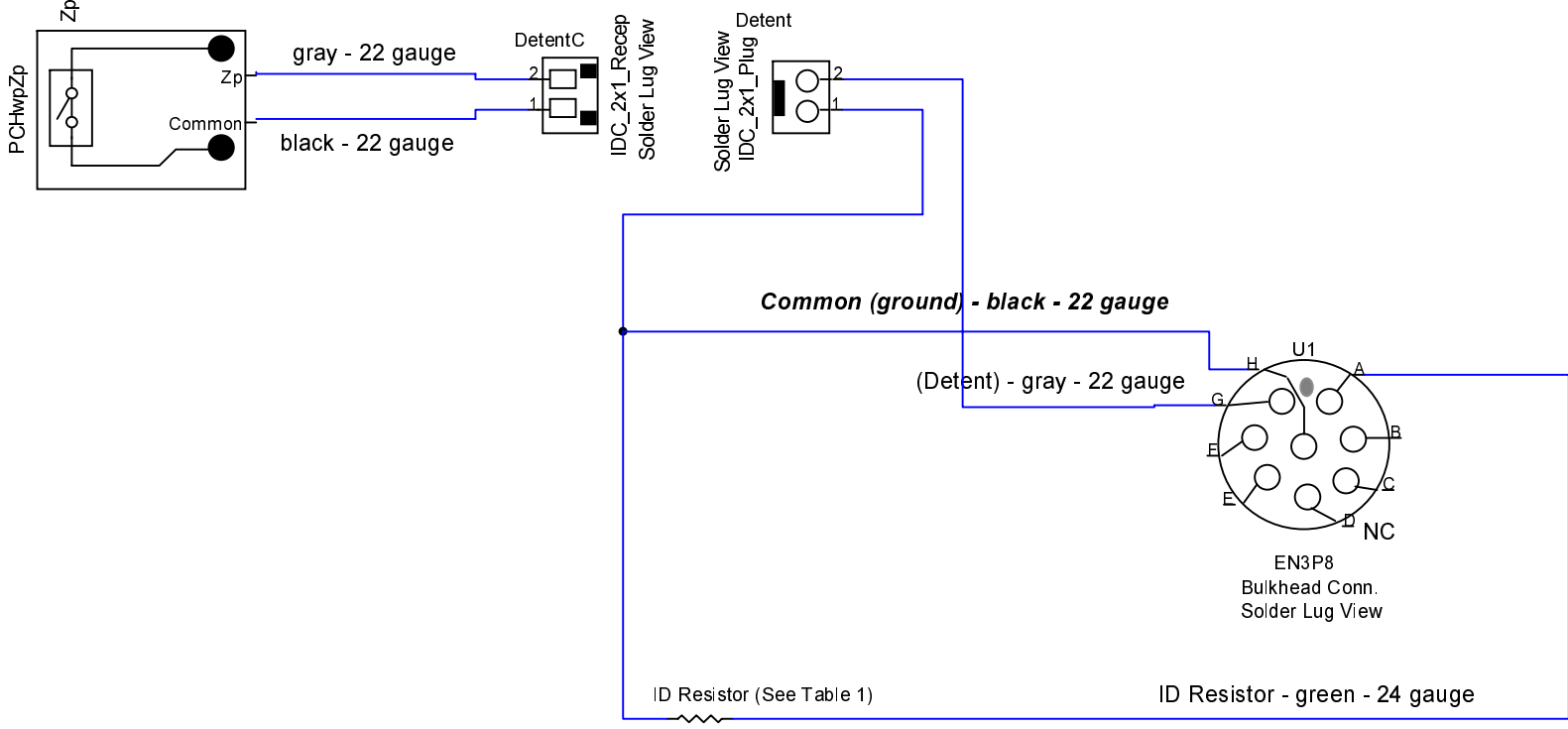


Table 1: ID Resistor Values

Unit	ID Resistor
HWP Rotation	TBD
Polar Wheel	TDB
FW1	TDB
FW2	TDB
FW3	TDB
Camera	33k
Slit Belt	TDB

Half-Wave Plate Rotator  
Cable between EN3P8  
bulkhead connector and Reed limit  
switches and ID Resistor

D. Clemens, Mimir Project, IAR  
Boston University

Rev	ID
1.1	1_013_1.1_HWP_unit_connector_to_reed_switches_cable